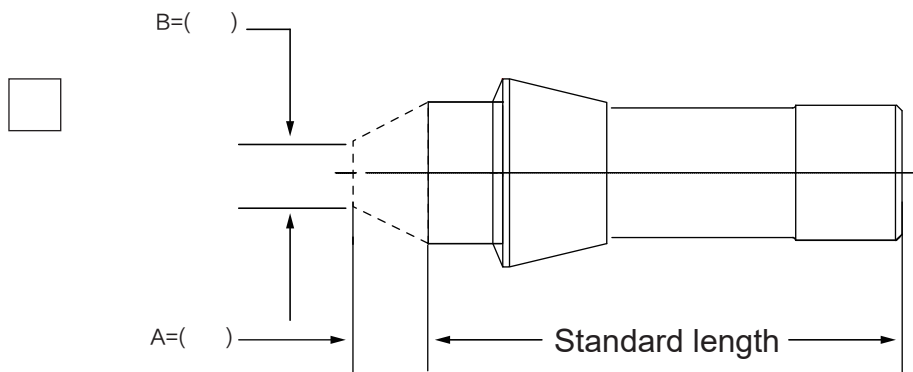
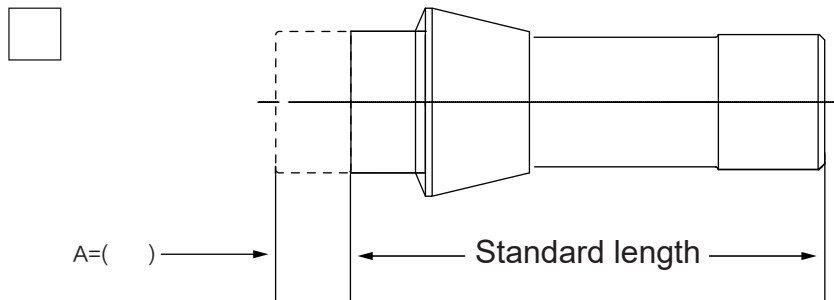


EXTENDED NOSE COLLET



Put into select which long nose type you need



“A” must be given when collet is ordered. and give “B” if you have specific requirement or go with our standard.

Remark:
