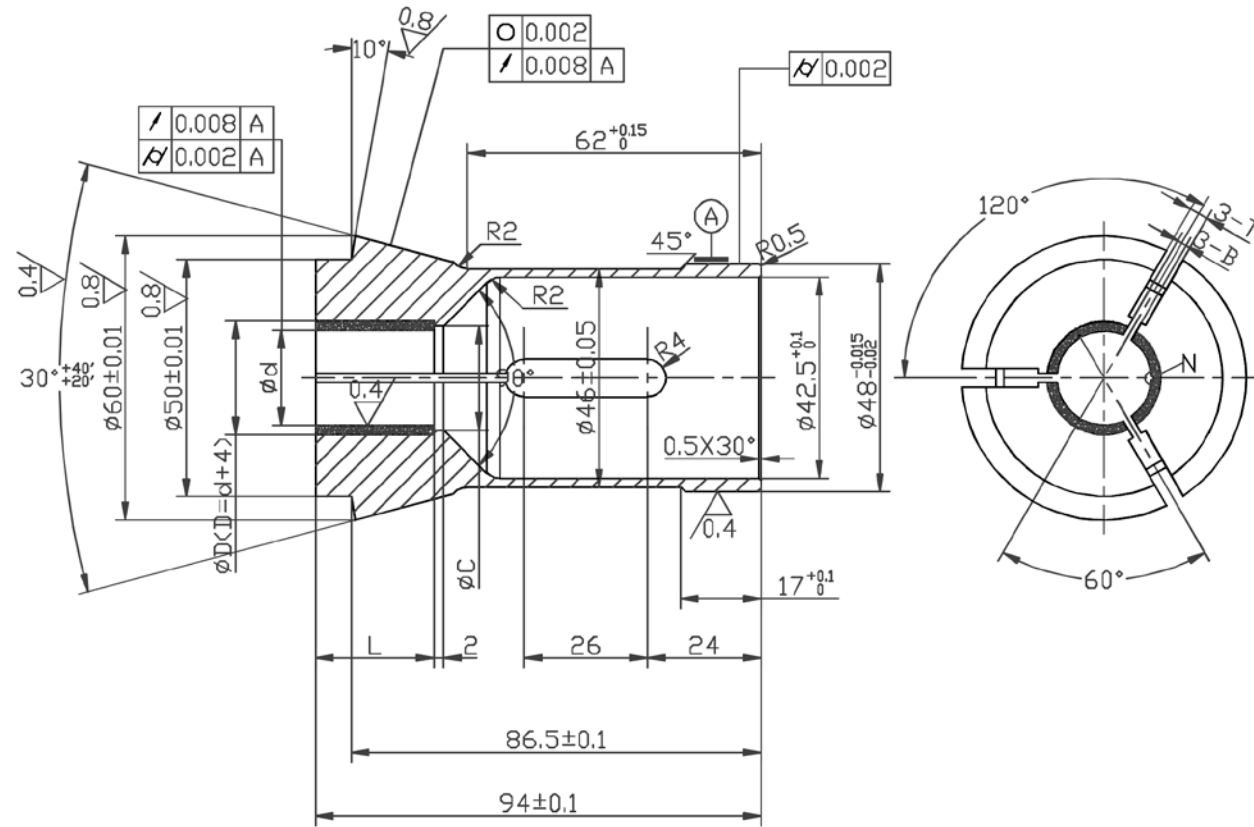


Part No.PA4894



Source: <https://www.precollet.com>
Please indicate the source when reproducing

			PRECOLLET®	Name	COLLET	
				Code	173E	
				Scale		
				Customer		
			Material 9CrSi	DR BY		
Rev No	Revision note	Date		深圳市泽菱精密工业有限公司 Shenzhen Zeling Precision Industry Co.,Ltd.		