

1

2

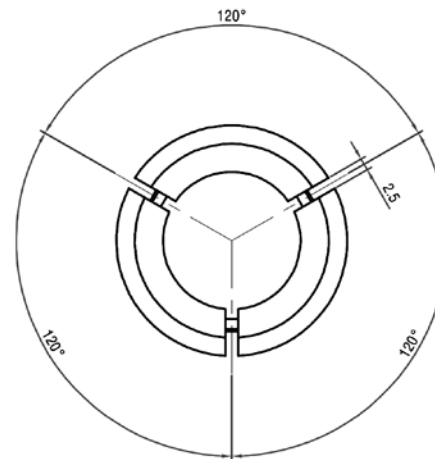
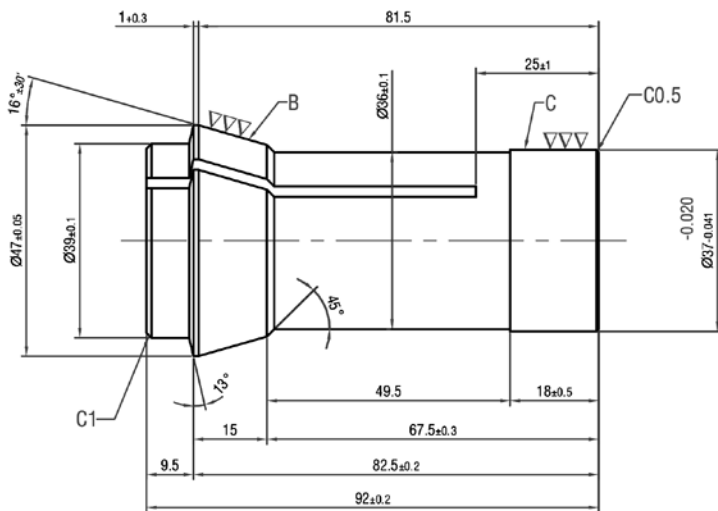
3

4

Part No.P3792

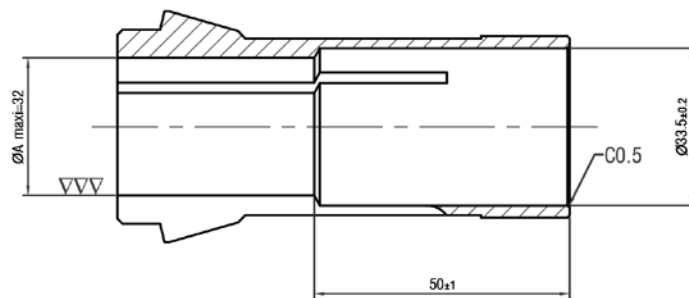
A

A



B

B



Source: <https://www.precollet.com>
Please indicate the source when reproducing

				Name	COLLET	
				Code	TF37	
				Scale		
				Customer		
			Material	DR BY		
				深圳市泽菱精密工业有限公司 Shenzhen Zeling Precision Industry Co.,Ltd.		
Rev No	Revision note	Date	9CrSi			

1

2

3

4